

zehnder *charleston*

zehnder



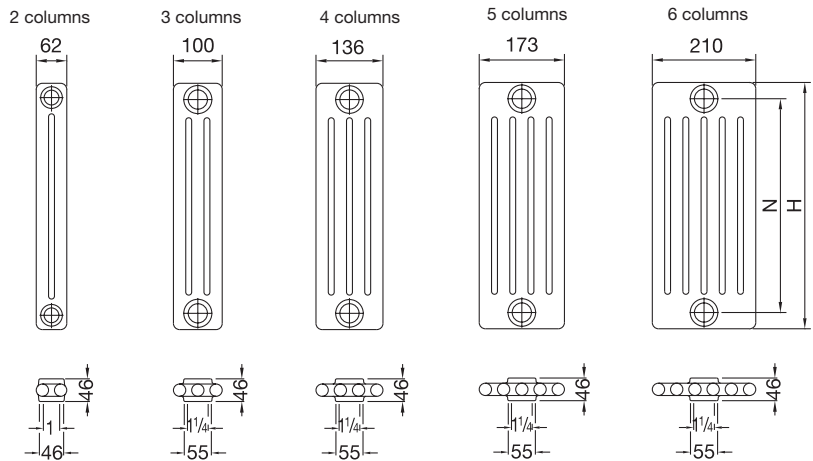
The Zehnder Charleston tube-type radiator first appeared in 1930 and today it is considered to be a design classic. German quality. Graceful appearance. Clarity of lines And excellent indoor climate by the virtue of high degree of radiant heating. For better well-being, without drafts and columns of dust.

Unique selection of Zehnder Charleston radiators for independent heating systems.

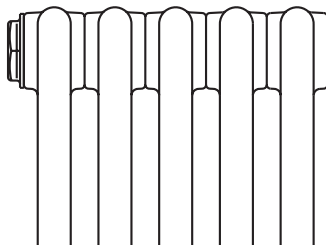
For any room. Tall, slender, or very low-profile. Curved and angled shapes.

Over 700 colours from RAL catalog or clear Technoline lacquer are available for you to choose from. Fast and simple installation.

Various connection options allow installation in existing systems as well as in brand new ones.



H = Height (mm)
 L = Length (46 mm per section)
 T = Depth (mm)
 N = connection spacing (mm)

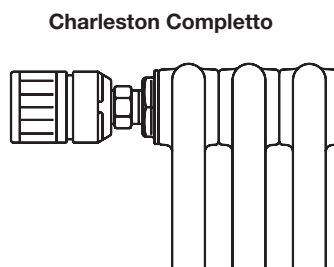


Side connection
 Distance between sections 46 mm

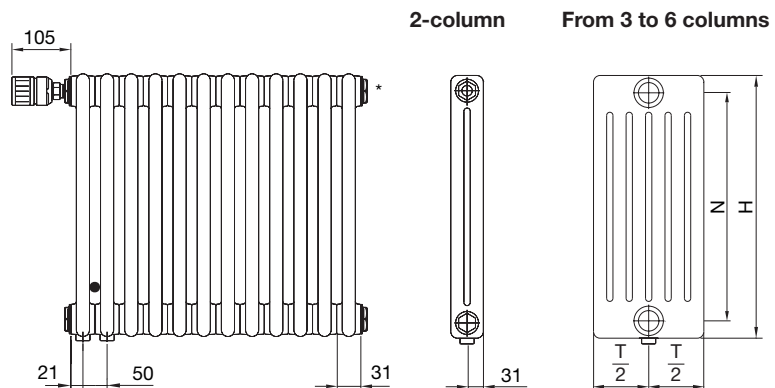
Material - steel, pipe Ø 25 mm
Wall thickness - 1.5 mm

Coating: enamel (colour selection shown in Zehnder catalog), clear lacquer (Technoline)

Pressure	Oper.	Test
From 2 to 4 columns	12 bar	15.6 bar
From 5 to 6 columns	10 bar	13.0 bar
High pressure models	18 bar	24 bar
Completo assembly	10 bar	13.0 bar
Temperature of heat transfer medium		max 120 °C



Bottom connection
 Distance between sections 46 mm



zehnder *charleston*

Bench radiators

Warmth and practicality, all at the same time - Zehnder Charleston benches combine such qualities as functionality and design, being at the same time the source of heat and a comfortable seat.

At the heart of Zehnder Charleston Bank, Zehnder Bank-Radiator, Zehnder Charleston Relax radiator is the Zehnder Charleston radiator. You may select a finish for your radiator bench from among over 700 colours in the RAL catalog.

Zehnder Charleston Relax

- is supplied with a finished wooden seat (all-veneer plywood)
- the elements are located vertically
- integrated thermal valve, bottom connection
- two models, 435 mm high, seat length 800 and 1000 mm



Zehnder Charleston Bank

- supplied without a seat
- the elements are located vertically
- available in three different depths (4, 5, or 6 columns)
- radiator height without the seat – 430 mm
- length from 1012 to 2300 mm
- curved and angled models



Zehnder Bank-Radiator

- supplied without a seat
- the elements are located horizontally
- available in three different depths (4, 5, or 6 columns)
- radiator height without the seat from 469 to 653 mm
- length from 1200 to 3000 mm



Made to order:

- angled radiators (for inside or outside corner)
- curved radiators (for inside or outside radius)

