

# ER - CE series

2 to 24 litres



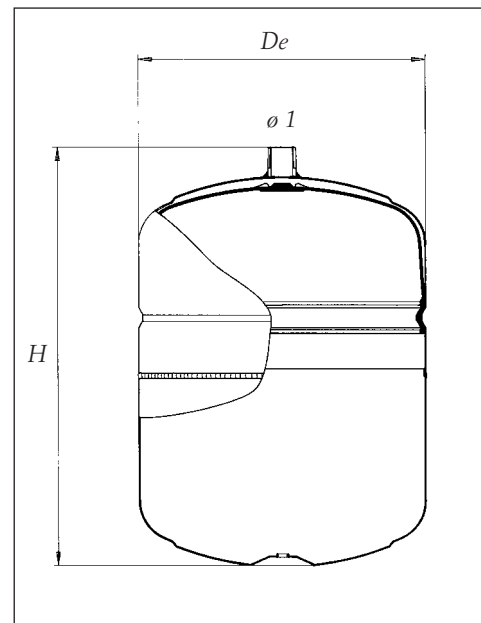
The available models from 2 to 24 litres are designed to be installed in different types of plant.

Besides, they are available in special versions, constructed according to the most important international regulations: CE, WRAS, UDT, etc.

4

## Characteristics

- Working temperature:  $-10^{\circ} \div +99^{\circ}\text{C}$
- Sturdy structure in high-quality steel, designed to endure for a long time.
- Painting with long life epoxy powders.
- Bladders in special rubber with those characteristics which ensure better performances and a longer life.
- In compliance with essential safety requirements of directive 97/23/EC.
- CE marking (type ER2 - ER5 without CE marking).



Model	Capacity litres	Maximum working pressure bar	Precharge pressure bar	De mm	H mm	ø1	Packaging mm
ER2	2	8	1,5	146	230	1/2"	150 x 150 x 240
ER5	5	8	1,5	205	225	3/4"	210 x 210 x 250
ER8 CE	8	8	1,5	205	300	3/4"	210 x 210 x 320
ER12 CE	12	8	1,5	270	300	3/4"	280 x 280 x 310
ER18 CE	18	8	1,5	270	410	3/4"	280 x 280 x 450
ER24 CE	24	8	1,5	320	355	3/4"	330 x 330 x 375

1MPa = 10 bar

## Selection of the expansion tank

The table simplifies the choice of the ELBI expansion tank to be installed in hot water systems. The selection of the tank can be effectuated starting from the system's total capacity or from the plant's power, taking into consideration an average content of 12 litres per 1000 Kcal/h of power and a plant's maximum working pressure of 3 bars.

Model	Precharge pressure bar	Plant height meters m	Tank's volume acceptable litres	Tank's absorption capacity %	Temperature difference $\Delta T = (90 - 14)^\circ\text{C}$ $\Delta$ coefficient of expansion 0,035		
					Total water content in the plant litres	Heat-generator's power Kcal/h    kW	
ER5	0,5	5	3,1	62	89	7.400	8,6
	1	10	2,5	50	71	5.900	6,86
ER8 CE	0,5	5	5	62	143	11.900	13,84
	1	10	4	50	114	9.500	11,4
ER12 CE	0,5	5	7,5	63	214	17.800	20,7
	1	10	6	50	171	14.250	16,57
ER18 CE	0,5	5	11,3	63	323	26.900	31,3
	1	10	9	50	257	24.100	28,2
	1,5	15	6,7	37	191	15.900	18,5
ER24 CE	0,5	5	15,5	65	443	36.900	43
	1	10	12	50	343	28.600	33,26
	1,5	15	9,3	39	266	22.200	25,82

