

ERP series

6 to 24 litres

ERP tanks are available from 6 to 24 litres for a total number of 22 models.

The range of tanks proposed with the ERP series has been designed in order to ensure the greatest reliability. They are available in the TÜV and WRAS approved version.

Characteristics:

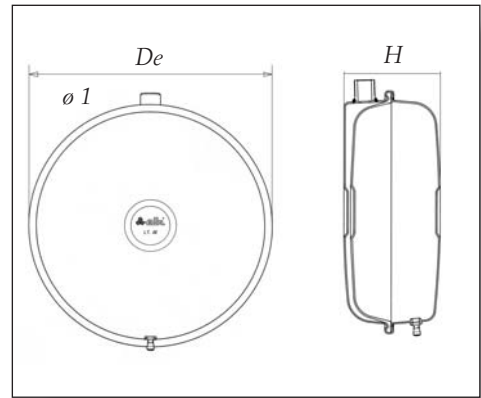
- Sturdy structure in high-quality steel, designed to endure for a long time.
- Painting with long life epoxy powders.
- Bladders in special rubber with those characteristics which ensure better performances and a longer life.
- Working temperature: $-10^{\circ}\div+90^{\circ}\text{C}$
- Precharge pressure: 1 bar
- In compliance with directive 97/23/EC (PED)

Model	Capacity litres	Maximum working pressure bar	Dimensions mm	De mm	H mm	ø1
ERP 320/6	6	3	/	320	94	3/4"
ERP 320/8	8	3	/	320	121	3/4"
ERP 320/10	10	3	/	320	131	3/4"
ERP 320/12	12	3	/	320	165	3/4"
ERP 385/7	7	3	/	385	83	3/4"
ERP 385/8	8	3	/	385	98	3/4"
ERP 385/10	10	3	/	385	108	3/4"
ERP 385/12	12	3	/	385	139	3/4"
ERP 385/14	14	3	/	385	146	3/4"
ERP 416/6	6	3	/	416	65	3/8"
ERP 416/8	8	3	/	416	75	3/8"
ERP 416/10	10	3	/	416	90	3/8"
ERP RET 6	6	3	516 x 196	/	95	3/4"
ERP RET 8	8	3	516 x 196	/	110	3/4"
ERP RET 10	10	3	516 x 196	/	124	3/4"
ERP RET 12	12	3	516 x 196	/	152	3/4"
ERP - Q 7	7	3	436 x 344	/	77	3/8"
ERP - Q 10	10	3	436 x 344	/	97	1/2"
ERP - Q 12	12	3	436 x 344	/	117	1/2"
ERP - Q 14	14	3	436 x 344	/	132	1/2"
ERP - Q 16	16	3	436 x 344	/	147	1/2"
ERP - Q 18	18	3	436 x 344	/	155	1/2"
ERP - Q 20	20	3	436 x 344	/	162	1/2"
ERP - Q 24	24	3	436 x 344	/	177	1/2"

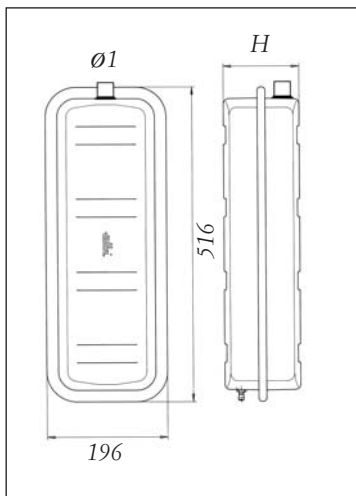
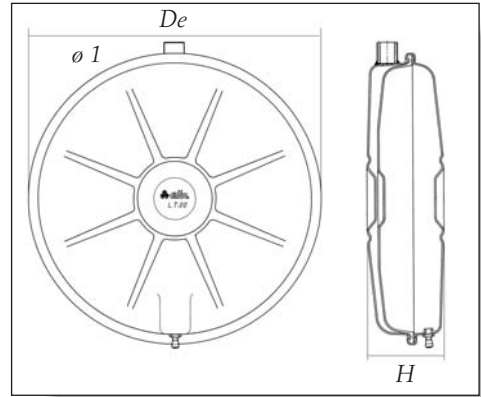
1MPa = 10 bar



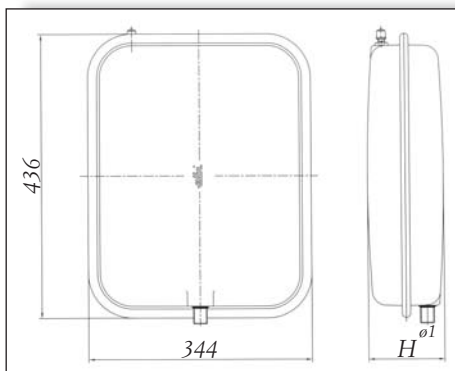
ERP 320
ERP 416



ERP 385



ERP RET



ERP - Q



Selection of the expansion tank ERP series

The table simplifies the choice of the ELBI expansion tank to be installed in hot water systems. The selection of the tank can be effectuated starting from the system's total capacity or from the plant's power, taking into consideration an average content of 8 litres per 1000 Kcal/h of power, a precharge pressure of 1 bar and a plant's maximum working pressure of 3 bars.

Model	Plant height m	Prech. press bar	Tank accept. vol lt	Tank absorb. cap. %	Plant Water content (lt)	Plant Power Kcal/h	Plant Power kW
ERP 320/6	10	1,0	3,0	50	86	10.700	12,44
ERP 320/8	10	1,0	4,0	50	114	14.300	16,63
ERP 320/10	10	1,0	5,0	50	143	17.900	20,80
ERP 320/12	10	1,0	6,0	50	172	21.500	25,00
ERP 385/7	10	1,0	3,5	50	100	12.500	14,53
ERP 385/8	10	1,0	4,0	50	114	14.300	16,63
ERP 385/10	10	1,0	5,0	50	143	17.900	20,81
ERP 385/12	10	1,0	6,0	50	172	21.500	25,00
ERP 385/14	10	1,0	7,0	50	200	25.000	29,10
ERP 416/8	10	1,0	4,0	50	114	14.300	16,63
ERP RET 6	10	1,0	3,0	50	86	10.700	12,44
ERP RET 8	10	1,0	4,0	50	114	14.300	16,63
ERP RET 10	10	1,0	5,0	50	143	17.900	20,81
ERP RET 12	10	1,0	6,0	50	172	21.500	25,00
ERP Q 7	10	1,0	3,5	50	100	12.500	14,53
ERP Q 10	10	1,0	5,0	50	143	17.900	20,81
ERP Q 12	10	1,0	6,0	50	172	21.500	25,00
ERP Q 14	10	1,0	7,0	50	200	25.000	29,10
ERP Q 16	10	1,0	8,0	50	228	28.500	33,14
ERP Q 18	10	1,0	9,0	50	258	32.200	37,44
ERP Q 20	10	1,0	10,0	50	286	35.800	41,63
ERP Q 24	10	1,0	12,0	50	343	42.900	49,88

1MPa = 10 bar

Max press.	3 bar
t max	90°C
t min	10°C

