

LIFT TYPE CHECK VALVE

FAF2250

2250



Features

- Stainless steel disc, which is positioned vertical to flow direction seats on sealing surface that processed on the body via expander, force and provides %100 tight sealing.
- The valve is opened via fluid force when it is at closed position and it is closed via expander force when system pressure decreases.
- Valve can be used in horizontal and vertical position due to the sealing is achieved by the spring.
- The valve has cast iron body, stainless steel disc and graphite seal.
- The body coated with wet epoxy paint as standard. It can be coated with fusion-bonded epoxy if required.
- All external surfaces are primed and painted for corrosion resistance.
- Designed with focus on easy access to maintenance. By unscrewing a few bolts the bonnet assembly including hinge and disc can be removed from the body, and maintenance can be performed.
- Designed with focus on easy access to maintenance. By unscrewing a few bolts the bonnet assembly including hinge and disc can be removed from the body, and maintenance can be performed.
- Zero stem leakage eliminates media loss and satisfies environmental regulations.
- Effective for energy savings. Energy loss due to leakage is controlled, helping to prevent global warming and protecting the environment.

Temperature

- +200 °C

PRODUCTION STANDARDS

DN15 → DN250
PN 16

Design	EN 12334 / EN 16767
Connection	EN 1092-2 / ISO 7005-2 Flanged
Face to Face	EN 558 Series 1 / DIN 3202 F1
Marking	EN19
Tests	EN 12266-1
Corrosion Protection	Industrial Epoxy

Product Description

FAF2250 Lift type check valve let to fluids in the facility required downstream and ceases the flow in case of reverse flow.

Versions

- Standard version with cast iron wedge
- Custom production for specific orders

Scope of Application

- Steam
- Superheated water
- Hot & cold water
- Industrial technologies
- Fluids without acidity or alkalinity properties

VALVE TEST PRESSURE (Bar)

MAX. OPERATING PRESSURE	BODY / SHELL TEST	SEAT TEST
16	24	17,6

100% of the valves are subjected to hydrostatic tests at FAF facilities.

Note

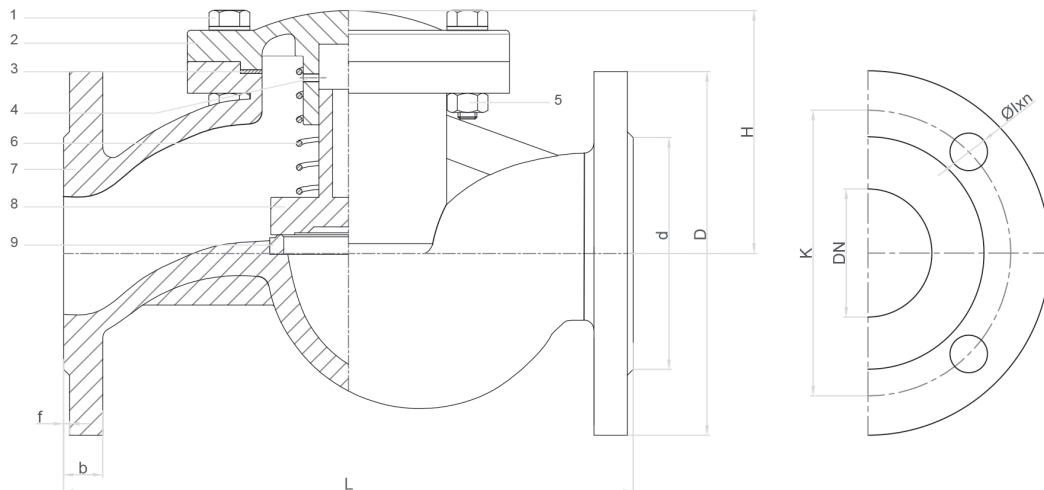
- For proper use and safety precautions please follow the installation and operating instructions.



LIFT TYPE CHECK VALVE

FAF2250

Technical Details & Drawing, Dimensions



DN (mm)	D	K	d	Øl x n	f	b	L	H	KV m ³ /h	Weight (kg)
15	95	65	46	14x4	2	14	130	50	3	2,4
20	105	75	56	14x4	2	16	150	50	5,5	3,0
25	115	85	65	14x4	3	16	160	60	8	3,9
32	140	100	76	19x4	3	18	180	75	13	6,5
40	150	110	84	19x4	3	18	200	80	20	7,6
50	165	125	99	19x4	3	20	230	80	33	11,0
65	185	145	118	19x4	3	20	290	110	50	17,4
80	200	160	132	19x8	3	22	310	120	88	23,9
100	220	180	156	19x8	3	24	350	135	119	31,2
125	250	210	184	19x8	3	26	400	165	187	49,0
150	285	240	211	23x8	3	26	480	190	266	63,3
200	340	295	266	23x12	4	30	600	225	478	104,8
250	405	355	319	28x12	4	32	730	295	740	201,1

Material List

NO	ITEM	MATERIALS
1	BOLT	DIN 933
2	COVER	EN-GJL-250 CAST IRON
3	SEALING	GRAPHITE DIN 933
4	NUT	DIN 934
5	SPRING	1.4301 - AISI 304 STAINLESS STEEL
6	BODY	EN-GJL-250 CAST IRON
7	DISC	1.4301 - AISI 304 STAINLESS STEEL
8	SEAT	1.4301 - AISI 304 STAINLESS STEEL