

GLOBE VALVE BELLOW SEAL FAF2100

21000



Features

- Has cast iron body; stem and sealing seat are made of stainless steel.
- For using in high temperatures, can be coated with high temperature resistant coating.
- No maintenance needed, can be operated with lower torque ratings.
- Zero stem leakage eliminates media loss and satisfies environmental regulations.

Temperature

- +200 °C

PRODUCTS MODEL CODES

FAF2100	GLOBE VALVE
FAF2130	GLOBE VALVE - BELLOW SEAL

PRODUCTION STANDARDS

DN15 → DN250
PN 16

Design	EN 13789
Connection	EN 1092-2 / ISO 7005-2 Flanged
Face to Face	EN 558 Series 1 / DIN 3202 F1
Marking	EN 19
Tests	EN 12266-1
Corrosion Protection	Industrial Epoxy

Product Description

FAF2100 Globe Valve, maintains 100% tight sealing through the graphite gasket on the stainless steel disc moving perpendicular to the flow axis and seating on the machined metal seat inside the body.

Versions

- Standard version with handwheel

Scope of Application

- Steam
- Superheated water
- Hot & cold water
- Power & heat engineering
- Industrial technologies
- Fluids without acidity or alkalinity properties

Note

- For proper use and safety precautions please follow the installation and operating instructions.

VALVE TEST PRESSURE (Bar)

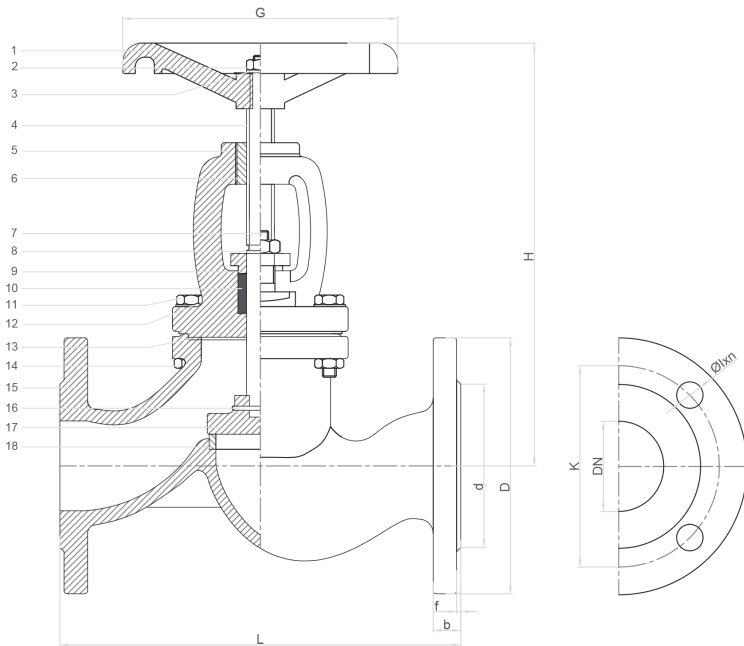
MAX. OPERATING PRESSURE	BODY / SHELL TEST	SEAT TEST
16	24	17,6

100% of the valves are subjected to hydrostatic tests at FAF facilities.

GLOBE VALVE BELLOW SEAL FAF2100

2100

Technical Details & Drawing, Dimensions



NO	ITEM	MATERIAL
1	HAND WHEEL	EN GJL 250 CAST IRON
2	NUT	DIN 934
3	WASHER	DIN 125
4	SHAFT	1.4021 STAINLESS STEEL
5	COVER	EN GJL 250 CAST IRON
6	NUT	CuZn40Pb2 BRASS
7	BOLTS	CK 45 STEEL
8	NUT	DIN 934
9	PRESSURE FLANGE	EN GJL 250 CAST IRON
10	SEALING GASKET	GRAPHITE RING
11	BOLT	DIN 933
12	WASHER	DIN 125
13	COVER GASKET	GRAPHITE
14	NUT	DIN 934
15	BODY	EN GJL 250 CAST IRON
16	PIN	1.4301 STAINLESS STEEL
17	DISC	1.4301 STAINLESS STEEL
18	SEAT	1.4301 STAINLESS STEEL

DN (mm)	D	K	d	Øl x n	f	b	L	H	G	KV m ³ /h	Torque Nm	Weight (kg)
15	95	65	46	14 x 4	2	14	130	165	95	5	15	3,3
20	105	75	56	14 x 4	2	16	150	170	100	8	20	4,0
25	115	85	56	14 x 4	3	16	160	180	120	11	20	5,0
32	140	100	76	19 x 4	3	18	180	215	140	18	30	8,5
40	150	110	84	19 x 4	3	18	200	225	140	28	30	9,6
50	165	125	99	19 x 4	3	20	230	235	200	47	40	13,8
65	185	145	118	19 x 4	3	20	290	265	200	72	40	20,1
80	200	160	132	19 x 8	3	22	310	300	240	126	100	27,6
100	220	180	156	19 x 8	3	24	350	340	280	170	160	39,0
125	250	210	184	19 x 8	3	26	400	390	360	267	200	58,1
150	285	240	211	23x8	3	26	480	430	360	380	250	75,5
200	340	395	266	23 x 12	4	30	600	490	400	683	350	122,9
250	405	355	319	28 x 12	4	32	730	600	400	1057	500	225,0