

Series 02: DN40 and DN50



Series 01: DN 65...150

## Three-port slipper valves PN6

## VBF21..

### Three-port slipper valves, PN6, flanged

- Grey cast iron EN-GJL-250
- DN 40...150
- $k_{vs}$  25...820 m<sup>3</sup>/h
- Angle of rotation 90°
- Flange fittings to ISO 7005
- Manual adjuster for DN40 and DN50 slipper valves
- Can be fitted with type SQK.. or SAL..T10 electromotoric actuators
- No maintenance required

### Use

For use in closed-circuit heating systems and mixing applications.

## Type summary

Type	DN	$k_{vs}$ [m <sup>3</sup> /h]	SQK.. $\Delta p_{max}$ [kPa]	SAL..T10
<b>VBF21.40 *</b>	40	25	30	
<b>VBF21.50 *</b>	50	40		
<b>VBF21.65</b>	65	63	30	30
<b>VBF21.80</b>	80	100		
<b>VBF21.100</b>	100	160		
<b>VBF21.125</b>	125	550		
<b>VBF21.150</b>	150	820		



DN = Nominal size

$k_{vs}$  = Nominal flow rate of cold water (5...30 °C) through the fully open slipper valve by a differential pressure of 100 kPa (1 bar)

$\Delta p_{max}$  = Maximum permissible differential pressure across the slipper valve's control path, valid for the entire actuating range of the motorized slipper valve

\* Series with manual adjuster

## Accessories

Type	Description
<b>ASK31N</b> 	The ASK31N mounting kit consists of two mounting set parts, screws, adapter including fixing screw and adapter. For VBF21.., DN65...150 Series 01. Mounting instructions are enclosed with the kit.
<b>ASK32</b> 	The ASK32 mounting kit consists of a console and screw(s). For VBF21.., DN40...50 Series 02. Mounting instructions are enclosed with the kit.

## Ordering

The slipper valve, actuator and mounting kit, if required, must be ordered separately. When ordering, please specify the quantity, product name and type code.

Example: **1 3-port slipper valve type VBF21.65**  
**1 actuator type SAL31.00T10** and  
**1 mounting kit, type ASK31N**

## Delivery

The slipper valve, actuator and mounting kit are packed separately.

## Spare parts

See overview, section „Spare parts“, page 6

## Equipment combinations

Type	Actuators			
	SQK34.. SQK84..	SQK33..	SQL33.. SQL83..	SAL..T10
<b>VBF21.40</b>	direct mounting	ASK32	ASK32	
<b>VBF21.50</b>				
<b>VBF21.65</b>			AKS31	ASK31N
<b>VBF21.80</b>				
<b>VBF21.100</b>				
<b>VBF21.125</b>				
<b>VBF21.150</b>				

Type	Actuator type	Operating voltage	Positioning signal	Positioning time for 90°	Torque	Data sheet
SQK33.00 <sup>1)</sup>	Electro-motoric	AC 230 V	3-position	125 s	5 Nm	N4506
SQK34.00 <sup>2) 4)</sup>				135 s		N4508
SAL31.00T10 <sup>3)</sup>				120 s	10 Nm	N4502
SAL31.03T10 <sup>3)</sup>		30 s				
SAL61.00T10 <sup>3)</sup>		AC / DC24 V	DC 0..10 V	120 s		
SAL61.03T10 <sup>3)</sup>				30 s		
SAL81.00T10 <sup>3)</sup>		3-position	120 s			
SAL81.03T10 <sup>3)</sup>			30 s			
SQK84.00 <sup>2) 4)</sup>				135 s	5 Nm	N4508

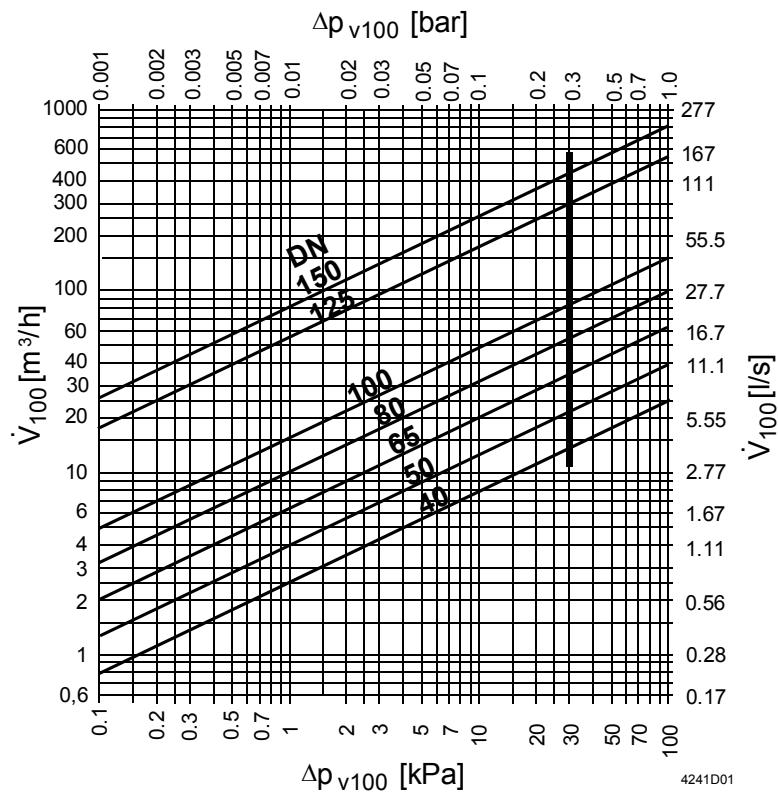
- <sup>1)</sup> Can be fitted with 1 auxiliary switch, type ASC9.5
- <sup>2)</sup> Can be fitted with 1 auxiliary switch, type ASC9.7
- <sup>3)</sup> Can be fitted with 1 auxiliary switch, type ASC10.51 or 2 auxiliary switches, type ASC10.51 or 1 potentiometer ASZ7.5/.. and 1 auxiliary switch, type ASC10.51
- <sup>4)</sup> For direct mounting on slipper valve types VBF21.40 and VBF21.50 (without mounting kit)

**Technical design / mechanical design**

Application      Boiler flow from the right or left. The manual adjuster (DN 40 and DN 50), scale plate and valve slipper can be re-positioned to suit the application

**Sizing**

**Flow diagram**



- $\Delta p_{max}$  = Maximum permissible differential pressure across the slipper valve's control path, valid for the entire actuating range of the motorized slipper valve
- $\Delta p_{v100}$  = Differential pressure across the fully open slipper valve by a volume flow  $V_{100}$
- $\dot{V}_{100}$  = Volumetric flow through the fully open slipper valve
- 100 kPa = 1 bar  $\approx$  10 mWC
- 1 m<sup>3</sup>/h = 0.278 l/s water at 20 °C

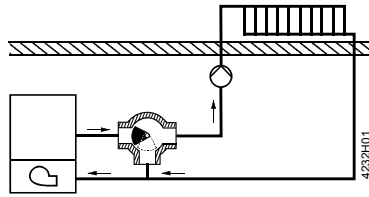
**Notes**

**Engineering**

Use the VBF21.. in mixing applications.  
 In systems where oxygen can enter the hydraulic system, there is an increased risk of corrosion which can cause the valve slipper to seize.

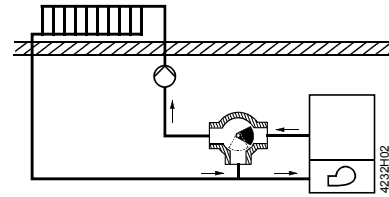
**Mounting variants**

*Boiler flow from left*



Factory setting

*Boiler flow from right*



Re-position the valve slipper, scale plate and manual adjuster (DN 40 and DN 50), as described in the mounting instructions.

**Mounting**

The slipper valves are easy to assemble directly on site.  
 The slipper valve, actuator and mounting kit (with mounting instruction) are packed separately.

Mounting instructions for O-Ring replacement: M4241

Accessory	Mounting instruction	
ASK31N	M4502.1	74 319 0739 0
ASK32	M4290.2	4 319 5597 0

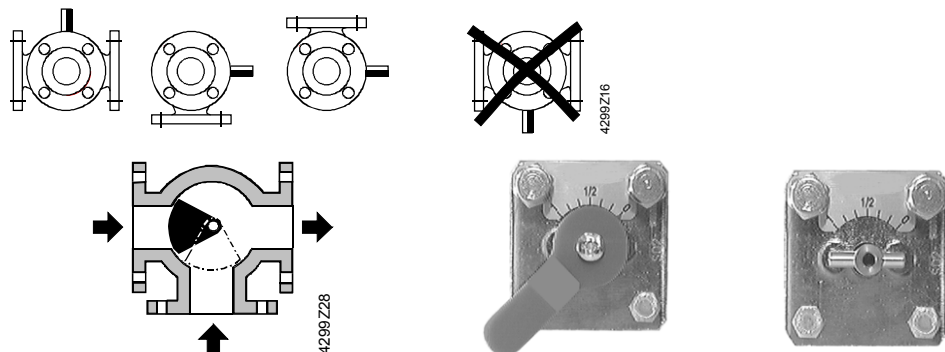
**DN 40 and DN 50**

Two special screws are provided in the housing cover to fix the ASK32 mounting kit and the scale plate for position indication.

**DN 65...150**

The ASK31N kit contain all the components required for assembly.

**Orientation**



**Factory setting**

Slipper positioned for "boiler flow from left".

- Anti-clockwise rotation: opening
- Clockwise rotation: closing.

**Manual adjuster for DN40 / DN50 with scale plate**

position indicator and yellow color marking for position of slipper  
 Position indicator at "0" = boiler flow path fully closed.

**Commissioning**

When commissioning the slipper valve, ensure that the position and rotation of the valve slipper are appropriate for the system concerned (see "Engineering").

The position of the valve slipper is indicated as follows:

- DN 40 and DN 50 slipper valves: by the manual adjuster and scale plate and by the yellow color marking on the pin in the slipper valve shaft
- DN 65...150 slipper valves: by a red plastic marker (part of the mounting kit) which is fitted to the slipper valve shaft.

## Maintenance



### Warning

Before performing any service work on the slipper valve, actuator or mounting kit:

- switch OFF the pump and power supply
- close the main shut-off valve in the pipework
- release pressure in the pipes and allow them to cool down completely.
- If necessary, disconnect electrical connections from terminals.

The slipper valve can be commissioned with the manual adjuster fitted, or with a correctly fitted actuator.

### Disposal



Before disposal the slipper valve must be dismantled and separated into its various constituent materials.

Legislation may demand special handling of certain components, or it may be sensible from an ecological point of view.

**Current local legislation must be observed.**

## Warranty

The technical data given for these applications is valid only in conjunction with the Siemens actuators as detailed under «Equipment combinations».

All terms of the warranty will be invalidated by the use of actuators from other manufacturers.

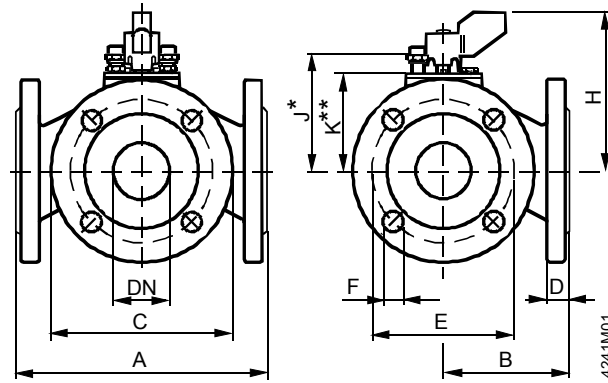
## Technical data

Functional data	PN class	PN 6 to ISO 7268	
	Working pressure	max. 600 kPa (6 bar) to ISO 7005 within the permissible medium temperature range	
	Flow characteristic	through-port linear bypass linear	
	Leakage rate	DN 40...100 0 ... 0,1 % of $k_{vs}$ -value DN 125...150 0 ... 0,5 % of $k_{vs}$ – value	
	Permissible media	low temperature hot water, water with anti-freeze; Recommendation: water treatment to VDI 2035	
	Medium temperature	1...120 °C	
	Angle of rotation	90°	
	Industry standards	Pressure Equipment Directive	PED 97/23/EC
		Pressure Accessories	as per article 1, section 2.1.4
		Fluid group 2	DN 40...125 • without CE-marking as per article 3, section 3 (sound engineering practice) DN 150 • category I, with CE-marking
Materials		Slipper valve body	Grey cast iron EN-GJL-250
	Shaft	stainless steel	
	Slipper	DN 40...100 brass DN 125...150 bronze	
	O-rings	EPDM	
	Manual adjuster	Plastic	
	Scale plate for position indication	Aluminum	
Dimensions / weight	see «Dimensions»		
	Flange connections	to ISO 7005	

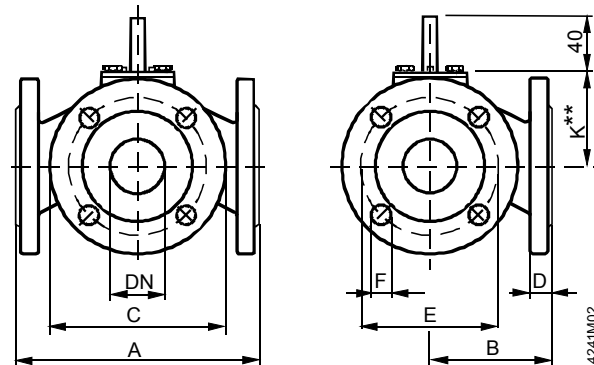
## Dimensions

All dimensions in mm

### VBF21.40 / VBF21.50 (with manual adjuster)



### VBF21.65 .. VBF21.150 (without manual adjuster)



Type	DN	A	B	C	D	E	F	H	J*	K**		Weight [kg]
										ASK32	ASK31N	
VBF21.40	40	180	90	130	16	100	14 (4x)	96	68	56		6,0
VBF21.50	50	180	90	140	16	110	14 (4x)	103	75	63		6,5
VBF21.65	65	200	100	160	16	130	14 (4x)				43	9,5
VBF21.80	80	230	115	190	18	150	19 (4x)				52	14,5
VBF21.100	100	260	130	210	18	170	19 (4x)				68	18,3
VBF21.125	125	320	160	240	20	200	19 (8x)				129	36,0
VBF21.150	150	350	175	265	20	225	19 (8x)				144	45,3

DN = Nominal size

J\* = Installation height for actuators SQK34.00 or SQK84 (without mounting kit)

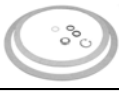
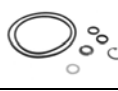

K\*\* = Installation height for type SQK33.00 actuators with mounting kit ASK32, and SAL..T10 with mounting kit ASK31N

Overall height of slipper valve and actuator

- = Installation height of three-port slipper valve
- + Installation height of mounting kit (if needed)
- + Installation height of actuator
- + Minimum clearance (> 200 mm) from ceiling or wall for mounting, connection, operation, service etc.

## Spare parts

Order numbers for spare parts

	O-ring service set		manual adjuster
			
<b>3-port slipper valve</b>			
VBF21.40		467695230	7467601750
VBF21.50		467695230	7467601750
VBF21.65		7467601760	
VBF21.80		7467601760	
VBF21.100		7467601760	
VBF21.125	7467601770		
VBF21.150	7467601770		