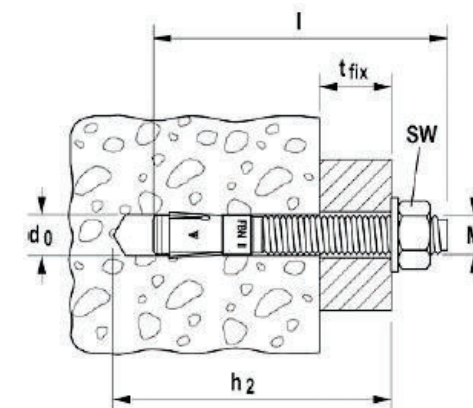


Oznaka Fischer FWA
anker bez atesta za
protivpožarnost i
ETA atesta.



beton



Naziv	Ø burgije	Dubina bušenja (h2-t _{fix})	Dužina ankera	Korisna dužina (t _{fix})	Navoj	Pakovanje	
	mm	mm	mm	Mm	Mxmm	šifra	kom
FBN II 8/10	8	40/30	71	10/20	M8x39	40664	50
FBN II 8/20	8	40/30	81	20/30	M8x49	40669	50
FBN II 10/10	10	50/40	86	10/20	M10x46	40827	50
FBN II 10/20	10	50/40	96	20/30	M10x56	40851	50
FBN II 12/10	12	65/50	106	10/25	M12x59	40950	20
FBN II 12/20	12	65/50	116	20/35	M12x69	44558	20
FWA 8x80	8	40	80	20		45789	50
FWA 8x95	8	40	95	35		45790	50
FWA 10x80	8	50	80	5		45792	50
FWA 10x95	8	50	95	20		45793	50

