



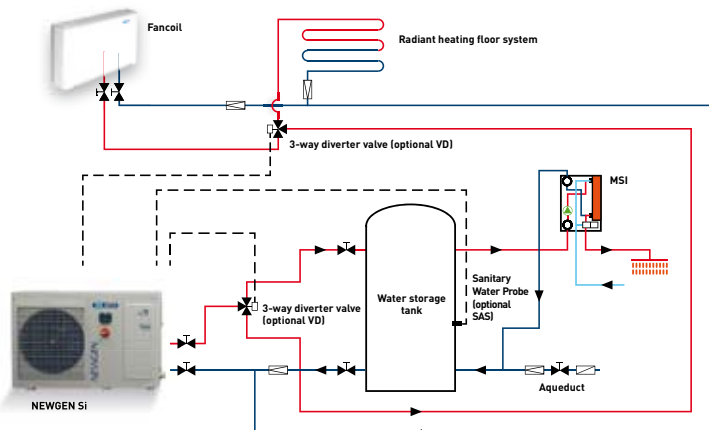
Technical data:

			05	07	10	15
Cooling	Nominal cooling power (1) [min/max]	kW	4,13 (1,80 / 5,00)	6,49 (3,00 / 8,20)	8,20 (3,70 / 10,80)	10,51 (4,80 / 13,10)
	Nominal power input (1) [min/max]	kW	1,33	2,08	2,65	3,39
	E.E.R. (1)	W/W	3,11	3,12	3,10	3,10
	E.S.E.E.R.	W/W	3,43	3,49	3,41	3,48
	Nominal cooling power (2) [min/max]	kW	5,72 (2,30 / 6,20)	8,93 (3,70 / 9,90)	12,36 (4,60 / 13,20)	14,00 (6,00 / 16,00)
	Nominal power input (2) [min/max]	kW	1,44	2,27	2,98	3,64
Heating	Nominal heating power (3) [min/max]	kW	5,48 (2,10 / 5,80)	8,43 (3,50 / 9,30)	11,81 (4,40 / 12,60)	13,38 (5,60 / 14,80)
	Nominal power input (3) [min/max]	kW	1,65	2,55	3,45	4,13
	C.O.P. (3)	W/W	3,32	3,30	3,42	3,24
	Nominal heating power (4) [min/max]	kW	5,77 (2,40 / 6,50)	9,06 (4,00 / 10,30)	12,40 (4,70 / 13,40)	14,16 (6,30 / 16,40)
	Nominal power input (4) [min/max]	kW	1,39	2,21	2,95	3,45
	C.O.P. (4)	W/W	4,15	4,11	4,21	4,11
Electrical data	Power supply	V/Ph/Hz	230 ±10% / 1 / 50			400 ± 10% / 3+N-PE / 50
	Max. absorbed power	kW	2,81	4,61	5,78	7,93
	FLA (Full Load Ampere)	A	12,3	20,2	25,4	11,5
Compressor	Type	-	Rotary DC Inverter	Rotary DC Inverter	Twin Rotary DC inverter	Scroll DC inverter
	Number	-	1	1	1	1
Fan	Type	-	Motore DC Brushless			
	Number	-	1	1	2	2
	Rated power input	kW	0,156	0,188	0,180 (x2)	0,180 (x2)
	Speed	r/min	900	900	1000	1000
	Max. air flow	m³/s	1,08	1,63	2,11	2,59
Refrigerant	Type	-	R410A			
	Refrigerant quantity	kg	1,55	2,10	3,65	3,90
Hydraulic Circuit	Water flow (1)	L/s	0,29	0,45	0,59	0,72
	Head pressure (1)	kPa	43	29	51	48
	Max power input of the water pump	kW	0,124	0,124	0,165	0,165
	Expansion vessel	L	2	2	2	2
	Hydraulic connections	in	1" M	1" M	1" M	1" M
	Min. volume of water	L	18	25	35	45
Sound levels	Sound power max (5)	dB(A)	63	65	67	68
	Sound pressure max (6)	dB(A)	50	52	54	55
Dimensions and Weight	Dimensions (WxHxD)	mm	1134 x 719 x 376	1229 x 861 x 371	1258 x 1402 x 448	1258 x 1402 x 448
	Operation weight	kg	73	92	147	152
	Transportation weight	kg	77	96	153	158

All data refers to standard units at the following conditions:

- (1) Cooling: outdoor air temperature 35 °C; inlet/outlet water temperature 12/7 °C.
- (2) Cooling: outdoor air temperature 35 °C; inlet/outlet water temperature 23/18 °C.
- (3) Heating: outdoor air temperature 7 °C d.b. 6 °C w.b.; inlet/outlet water temperature 40/45 °C.
- (4) Heating: outdoor air temperature 7 °C d.b. 6 °C w.b.; inlet/outlet water temperature 30/35 °C.
- (5) Sound power: determined on the basis of measurements taken in accordance to ISO 3744.
- (6) Sound pressure level at 1 m obtained in free field over a reflecting plane. Tolerance ± 2 dB. The sound levels are referred to max operation of the unit. Data refers to the following operating conditions: external air temperature 35 °C, inlet/outlet water temperature 7/12 °C.

Note: Data declared according to UNI EN 14511:2011. The performance data shown in the table refer to units without options and / or accessories and could be subject to change.
Attention: for antifreeze unit version, for lowest ambient temperature -5 °C, you must add a suitable quantity of antifreeze additives.



Functional limits:

Chiller mode	
Outdoor air temperature	Min. -10 °C – Max. +46 °C
Outlet water temperature	Min. +5 °C – Max. +25 °C
Heat pump mode	
Outdoor air temperature	Min. -15 °C – Max. +30 °C
Outlet water temperature	Min. +25 °C – Max. +55 °C
Heatpump mode - Summer functioning (Hot Water for Sanitary Use)	
Outdoor air temperature	Min. -15 °C – Max. +40 °C (max water temp. 48 °C)
	Min. -15 °C – Max. +35 °C (max water temp. 55 °C)
Outlet water temperature	Min. +20 °C – Max. +55 °C