

de Installationsanleitung

es Instrucciones de montaje

el Οδηγίες Εγκατάστασης

en Installation Instructions

pt Instruções de montagem

sk Návod na montáž

fr Instructions d'installation

sv Installationsanvisning

cs Montážní list

it Istruzioni di montaggio

fi Asennusohje

pl Instrukcja montażu

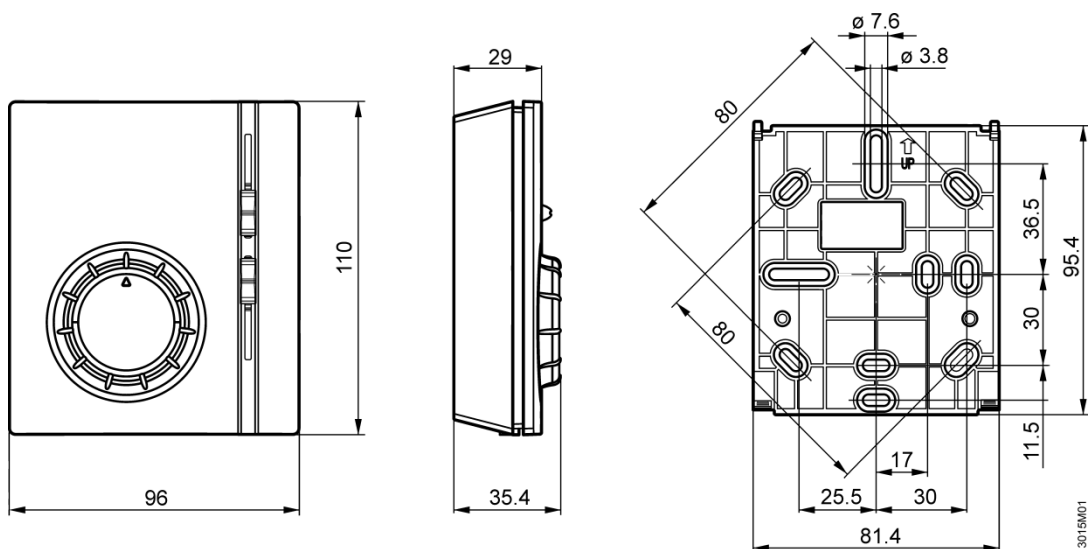
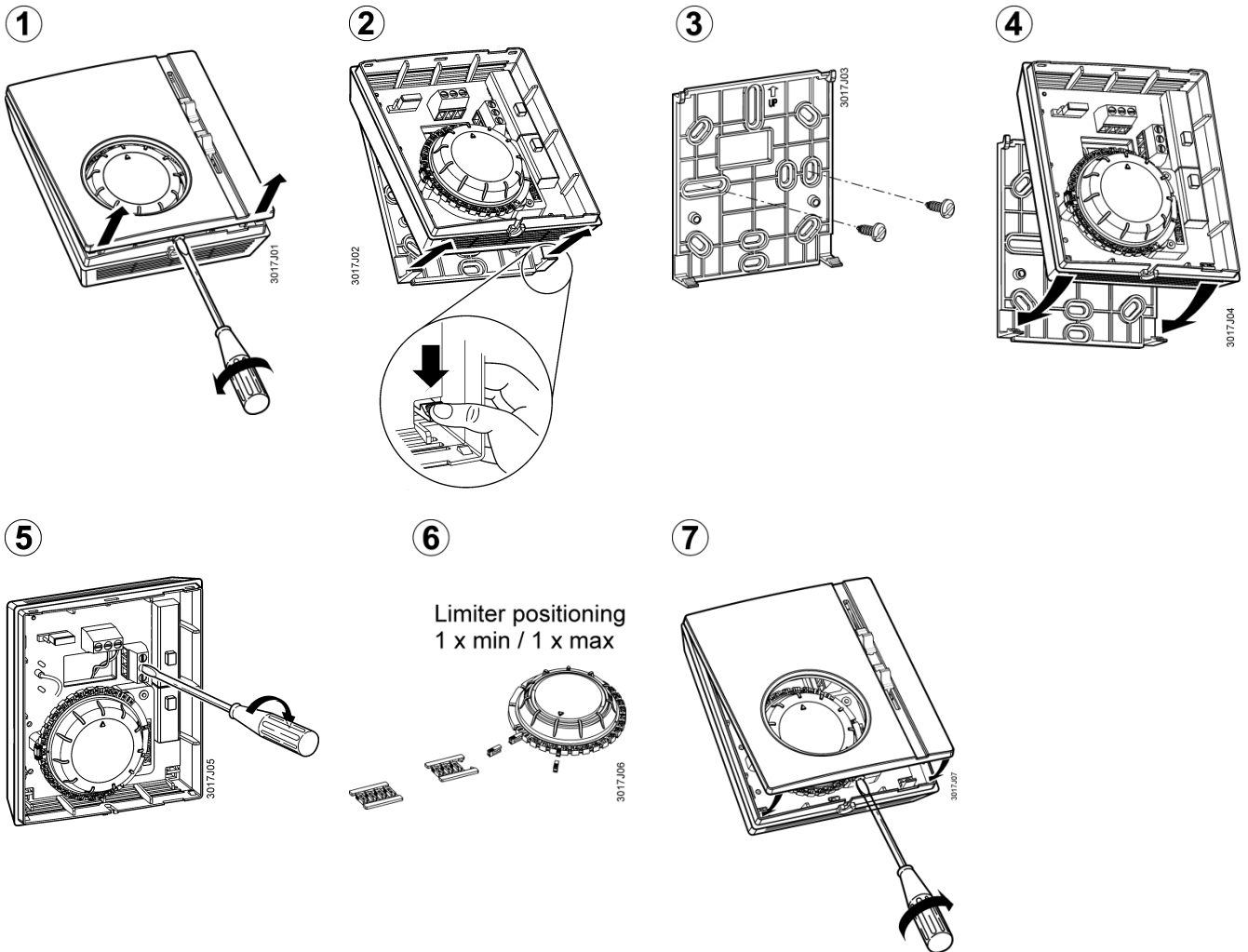
nl Installatie-aanwijzing

da Installationsvejledning

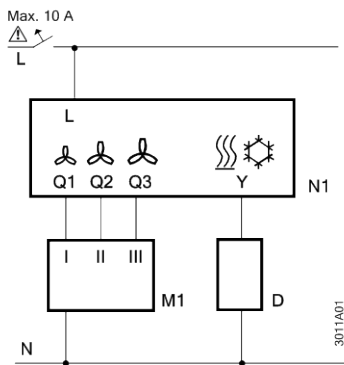
hu Telepítési leírás

zh 安装说明书

RAB...



Dimensions in mm

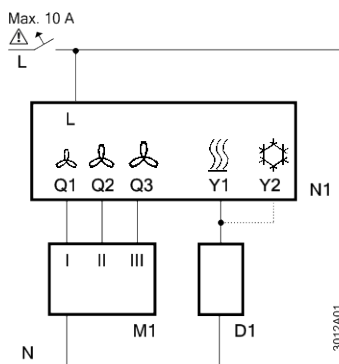


RAB11, RAB11.1

- L Switching voltage AC 24...250 V
- M1 3-speed fan
- N Neutral
- N1 Room thermostat
- Q1 Control output "Fan speed I", AC 24...250 V
- Q2 Control output "Fan speed II", AC 24...250 V
- Q3 Control output "Fan speed III", AC 24...250 V
- Y Control output "Valve actuator", AC 24...250 V
- D Zone valve or thermal valve

3011A01

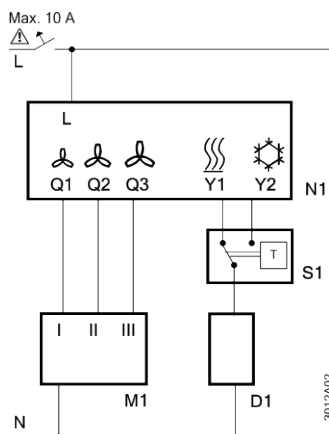
RAB21, RAB21.1 Heating or Cooling



- D1 Zone valve or thermal valve for heating or cooling
- L Switching voltage AC 24...250 V
- M1 3-speed fan
- N Neutral
- N1 Room thermostat

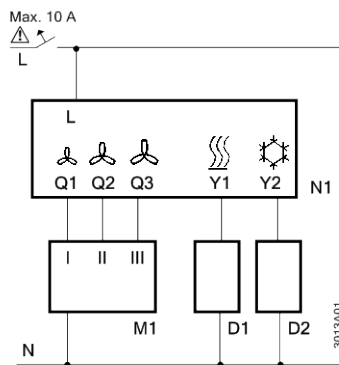
3012A01

RAB21, RAB21.1 Changeover for heating or cooling with external aquastat



- Q1 Control output "Fan speed I", AC 24...250 V
- Q2 Control output "Fan speed II", AC 24...250 V
- Q3 Control output "Fan speed III", AC 24...250 V
- Y1 Control output "Valve actuator heating", AC 24...250 V
- Y2 Control output "Valve actuator cooling", AC 24...250 V
- S1 Aquastat e.g. Z182 / RYT182

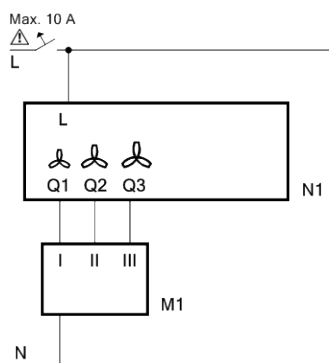
3012A02



RAB31, RAB31.1

- D1 Zone valve or thermal valve for heating
- D2 Zone valve or thermal valve for cooling
- L Switching voltage AC 24...250 V
- M1 3-speed fan
- N Neutral
- N1 Room thermostat
- Q1 Control output "Fan speed I", AC 24...250 V
- Q2 Control output "Fan speed II", AC 24...250 V
- Q3 Control output "Fan speed III", AC 24...250 V
- Y1 Control output "Valve actuator heating", AC 24...250 V
- Y2 Control output "Valve actuator cooling", AC 24...250 V

3013A01



RAB91

- L Switching voltage AC 24...250 V
- M1 3-speed fan
- N Neutral
- N1 Room thermostat
- Q1 Control output "Fan speed I", AC 24...250 V
- Q2 Control output "Fan speed II", AC 24...250 V
- Q3 Control output "Fan speed III", AC 24...250 V