



ACVATIX™

Electromotoric actuators for valves

SAX..Y

with a 20 mm stroke

-
- **SAX31..Y** Operating voltage AC 230 V, 3-position control signal
 - **SAX61..Y** Operating voltage AC/DC 24 V, control signal DC 0...10 V, 4...20 mA
 - **SAX81..Y** Operating voltage AC/DC 24 V, 3-position control signal
 - **SAX61..Y** Position feedback, override control, choice of flow characteristic
 - For direct mounting on valves; no adjustments required
 - Manual adjuster, position indicator and status indication per LED
 - Optional functions with auxiliary switches, potentiometer, function module, stem heating element

Use

For the operation of Siemens 2-port and 3-port valves, types V..F21.., V..F31.., V..F40.., V..F41.., V..G41.., VVF52.. and V..F53.. with 20 mm stroke as control and safety shut-off valves in heating, ventilation and air conditioning systems.

Type summary

Product no.	Stock no.	Stroke	Pos. force	Operating voltage	Positioning signal	Spr. ret. time	Pos. time	LED	Manual adjuster	Extra functions	
SAX31.00Y	S55150-A105-A998	20 mm	500 N	AC 230 V	3-Punkt	-	120 s	-	Push and fix	-	
SAX31.03Y	S55150-A106-A998			AC/DC 24 V	DC 0...10 V DC 4...20 mA 0...1000 Ω		3-Punkt	30 s		✓	Position feedback, forced control, change of characteristic
SAX61.03Y	S55150-A100-A998										
SAX81.00Y	S55150-A102-A998										
SAX81.03Y	S55150-A103-A998			3-Punkt	120 s		-	-			
					30 s						

Electrical accessories

Product no.	Auxiliary switch ASC10.51	Potentiometer ASZ7.5/.. ¹⁾	Function module AZX61.1	Stem heating element ASZ6.6
Stock no.	S55845-Z103	S55845-Z104 (ASZ7.5/135) S55845-Z105 (ASZ7.5/200) S55845-Z106 (ASZ7.5/1000)	S55845-Z107	S55845-Z108
	Max. 2			Max. 1
SAX31..Y	Max. 2	Max. 1	-	Max. 1
SAX61..Y	Max. 2	-	Max. 1 AZX61.1	
SAX81..Y		Max. 1	-	

¹⁾ Available with 135 Ω, 200 Ω or 1000 Ω

Mechanical Accessory

Weather shield ASK39.1

Ordering

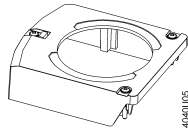
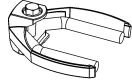
Example

Product no.	Stock no.	Description	Quantity
SAX81.03Y	S55150-A103-A998	Actuator	1
ASZ7.5/1000	S55845-Z106	Potentiometer	1

Delivery

Actuators, valves and accessories are supplied in individual packs.

Spare parts

Product number / Stock number	Housing cover	Screw (valve stem coupling)
	8000060843	
		

Combinations

Type reference		DN	PN class	k_{vs} [m ³ /h]	Data sheet
2-port valves VV.. (control or safety shutoff valves)					
VVF21..	flange	25...80	6	1.9...100	N4310
VVF31..	flange	15...80	10	2.5...100	N4320
VVF40..	flange	15...80	16	1.9...100	N4330
VVF41..	flange	50		19 / 31	N4340
VVG41..	thread	15...50		0.63...40	N4363
VVF52..	flange	15...40	25	0.16...25	N4373
VVF53..	flange	15...50		0.16...40	N4405
3-port valves VX.. (control valves for "mixing" and "diverting" functions)					
VXF21..	flange	25...80	6	1.9...100	N4410
VXF31..	flange	15...80	10	2.5...100	N4420
VXF40..	flange	15...80	16	1.9...100	N4430
VXF41..	flange	15...50		1.9...31	N4440
VXG41..	thread	15...50		1.6...40	N4463
VXF53..	flange	15...50	25	1.6...40	N4405

Product documentation

Detailed Informations about the New Generation actuators can be found in the Basic documentation "Electromotoric actuators SAX.." (CE1P4040_01en).

Notes

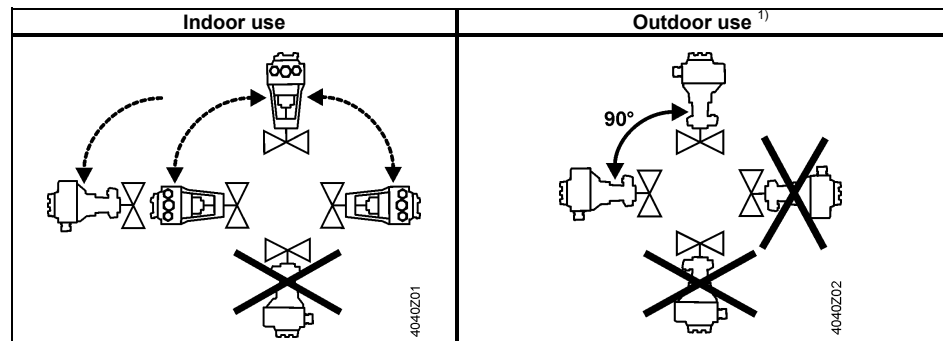
Engineering
SAX31..Y and SAX81..Y

3-position actuators must have their own specific controller, refer to "Connection Diagrams" (page 7).

SAX61..Y

Up to 10 actuators can drive in parallel on a controller output with a rating of 1 mA. Modulating actuators have an input impedance of 100 kΩ.

Mounting



¹⁾ Only in connection with weather shield ASK39.1

Maintenance

The actuators are maintenance-free.

Warranty

The engineering data specified in chapter "Combinations" (page 3) are only guaranteed in connection with the Siemens valves listed.

Note

When using the actuators in connection with valves of other manufacture, correct functioning must be ensured by the user, and Siemens will assume no responsibility.

Technical Data

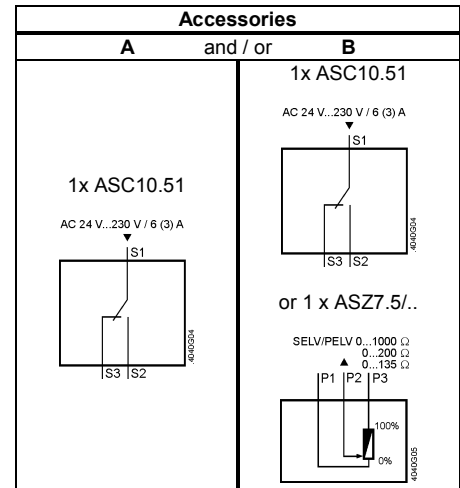
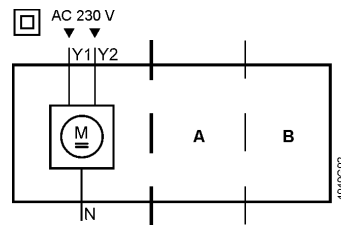
		SAX..
Power supply	Operating voltage SAX31..Y SAX61..Y SAX81..Y	AC 230 V ±15% AC 24 V ± 20% / DC 24 V + 20% / -15% AC 24 V ±20% / DC 24 V + 20 % / -15%
	Frequency	45...65Hz
	Fusing of supply lines	Max. 10 A slow
	Power consumption at 50 Hz	
	SAX31.00Y Stem retracts / extends SAX31.03Y Stem retracts / extends SAX61.03Y Stem retracts / extends SAX81.00Y Stem retracts / extends SAX81.03Y Stem retracts / extends	3.5 VA / 2 W 8 VA / 3.5 W 8 VA / 3.75 W 3.5 VA / 2.25 W 8 VA / 3.75 W
Function data	Positioning times (with the specified nominal stroke) The positioning time can vary, depending on the type of valve -> refer chapter "Type summary" (page 2) SAX31.00Y, SAX81.00Y SAX31.03Y, SAX61.03Y, SAX81.03Y	120 s 30 s
	Positioning force Nominal stroke Permissible medium temperature (valve fitted)	800 N 20 mm -25...100 °C
Signal inputs	Positioning signal "Y" SAX31..Y, SAX81..Y SAX31..Y Voltage SAX81..Y Voltage SAX61..Y (DC 0...10 V) Current draw SAX61..Y (DC 4...20 mA) Current draw	3-position AC 230 V ±15% AC 24 V ± 20 % / DC 24 V + 20 % / -15% ≤ 0.1 mA ≥100 kΩ DC 4...20 mA ± 1% ≤500 Ω
	Input impedance	
Parallel operation	SAX61..Y	≤ 10 (depending on controller output)
Forced control	Positioning signal "Z" SAX61..Y R = 0...1000 Ω Z connected to G Z connected to G0 Voltage Current draw	R = 0...1000 Ω, G, G0 Stroke proportional to R Max. stroke 100% ¹⁾ Min. stroke 0% ¹⁾ Max. AC 24 V ± 20% Max. DC 24 V + 20% / -15% ≤ 0.1 mA
Position feedback	Position feedback U SAX61.. Load impedance Load	DC 0...10 V ± 1% >10 kΩ res. Max. 1 mA
Connecting cable	Wire cross-sectional areas	0.13...1.5 mm ² , AWG 24...16 ²⁾
	Cable entries SAX..Y	2 entries Ø 20.5 mm (for M20) 1 entry Ø 25.5 mm (for M25)
Degree of protection	Housing from vertical to horizontal	IP54 as per EN 60529 ³⁾
	Insulation class Actuators SAX31..Y AC 230 V Actuators SAX61..Y AC / DC 24 V Actuators SAX81..Y AC / DC 24 V	As per EN 60730 II III III
Environmental conditions	Operation Climatic conditions Mounting location Temperature General with spindle heating element ASZ6.6 Humidity (noncondensing)	IEC 60721-3-3 Class 3K5 Indoors (weather-protected) 5...55 °C 5...55 °C 5...95% r.h.
	Transport Climatic conditions Temperature Humidity	IEC 60721-3-2 Class 2K3 -25...70 °C <95% r.h.
	Storage Temperature Humidity	IEC 60721-3-1 -15...55 °C 5...95% r.h.
	Max. media temperature when mounted on valve	100 °C
Standards	CE conformity As per EMC directive Immunity Emissions	2004/108/EC EN 61000-6-2:[2005] Industrial ⁴⁾ EN 61000-6-3:[2007] Residential
	Electrical safety	EN 60730-1
	Low-voltage directive AC 230 V C-tick	2006/95/EC N 474
	UL conformity AC 230 V AC/DC 24 V	- UL 873

		SAX..
Environmental compatibility		ISO 14001 (environment) ISO 9001 (quality) SN 36350 (environment-compatible products) RL 2002/95/EG (RoHS)
Dimensions		See "Dimensions" (page 8)
Accessories	Potentiometer ASZ7.5/135	0...135 Ω ± 5% Voltage DC 10 V Current rating <4 mA
	Potentiometer ASZ7.5/200	0...200 Ω ± 5% Voltage DC 10 V Current rating <4 mA
	Potentiometer ASZ7.5/1000	0...1000 Ω ± 5% Voltage DC 10 V Current rating <4 mA
	Auxiliary switch ASC10.51	Switching capacity AC 24...230 V, 6 A res., 3 A ind.
	Stem heating element ASZ6.6	AC 24 V, 30 W

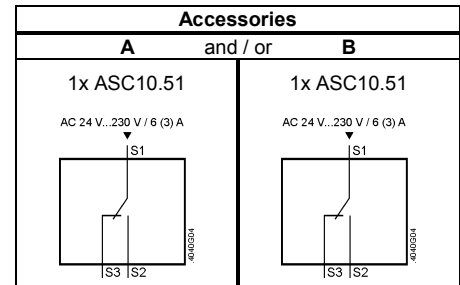
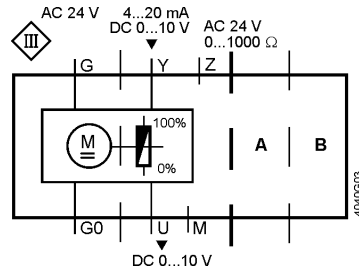
- 1) Observe acting direction of DIL switches
- 2) AWG = American wire gauge
- 3) Also with weather shield ASK39.1
- 4) Transformer 160 VA (e.g. Siemens 4AM 3842-4TN00-0EA0) for actuators operating on AC 24 V

Connection Diagrams

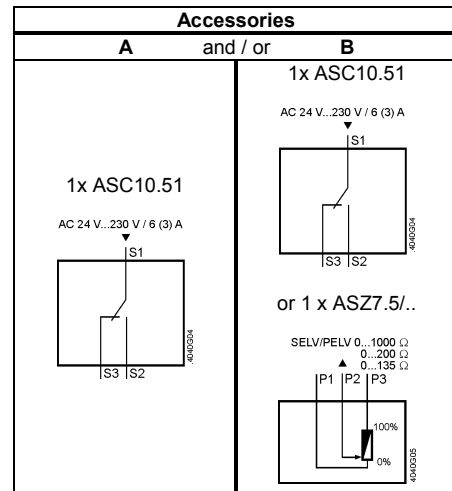
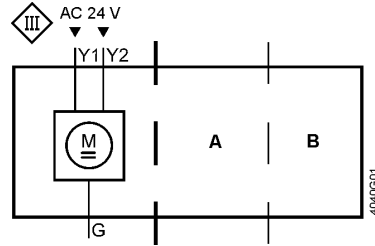
Internal Diagrams SAX31..Y



SAX61..Y



SAX81..Y



Connection terminals

SAX31..Y

AC 230 V, 3-position

- N** — Sytem neutral (SN)
- Y1** — Positioning signal (actuator's stem extends)
- Y2** — Positioning signal (actuator's stem retracts)

SAX61..Y

AC/DC 24 V, DC 0...10 V / 4...20 mA / 0...1000 Ω

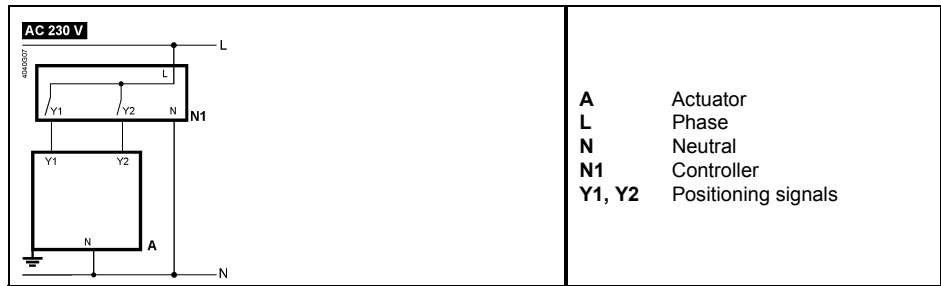
- G0** — Sytem neutral (SN)
- G** — Sytem potential (SP)
- Y** — Positioning signal for DC 0...10 V / 4...20 mA
- M** — Measuring neutral
- U** — Position feedback DC 0...10 V
- Z** — Positioning signal forced control

SAX81..Y

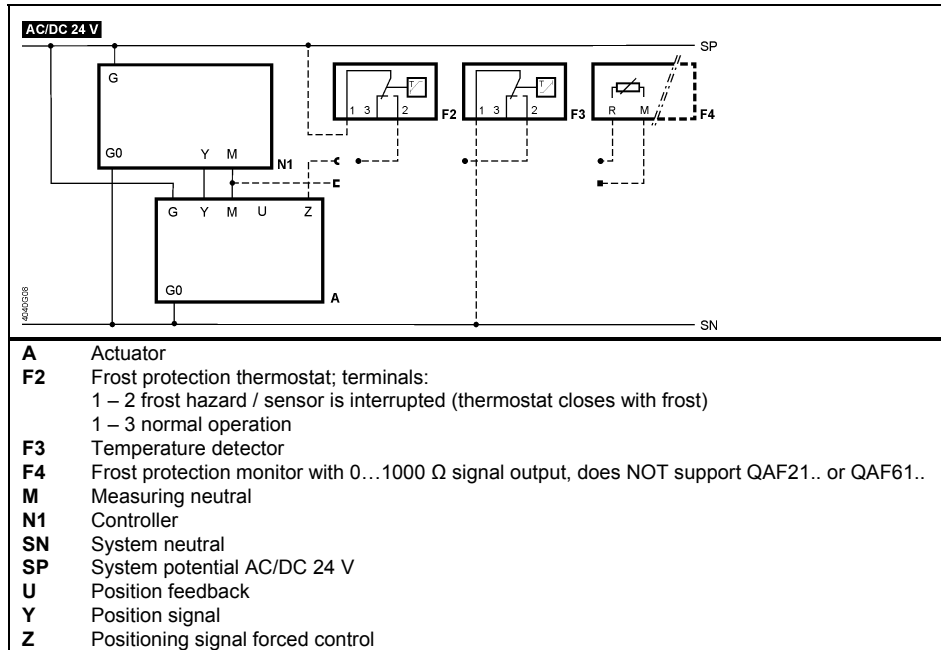
AC/DC 24 V, 3-position

- G** — Sytem potential (SP)
- Y1** — Positioning signal (actuator's stem extends)
- Y2** — Positioning signal (actuator's stem retracts)

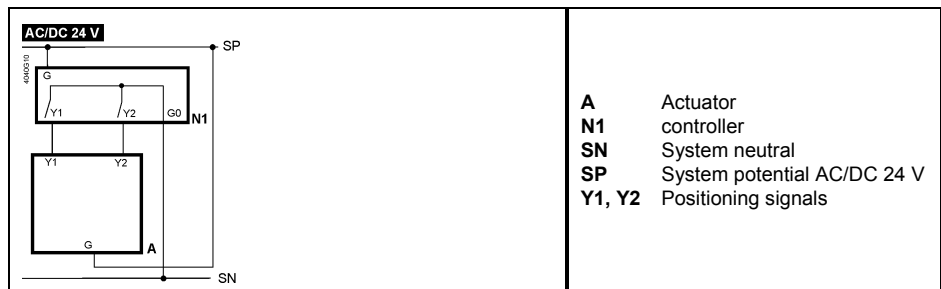
Connection Diagrams
SAX31..Y



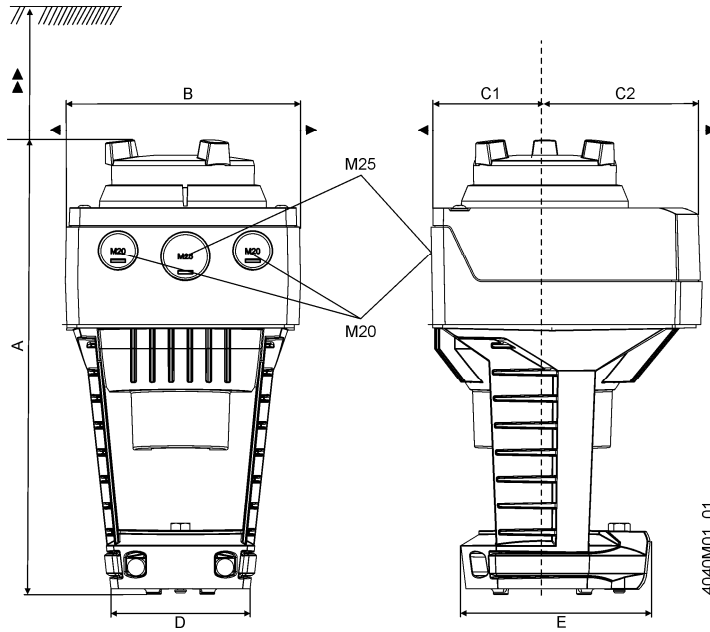
SAX61..Y



SAX81..Y



Dimensions



Product no.	A	B	C	C1	C2	D	E	▶	▶▶
SAX..	242	124	150	68	82	80	100	100	200
With ASK39.1	+25	154	300	200	100	-	-	-	-

Dimensions in mm

Revision numbers

Product no.	Valid from rev. no.
SAX31.00Y	..E
SAX31.03Y	..E
SAX61.03..Y	..E
SAX81.00..Y	..E
SAX81.03..Y	..E