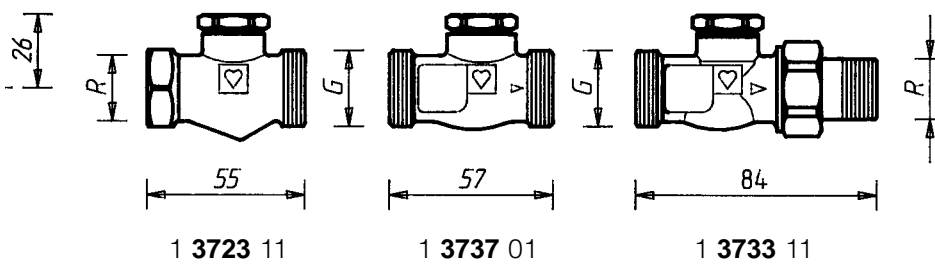


**3723**

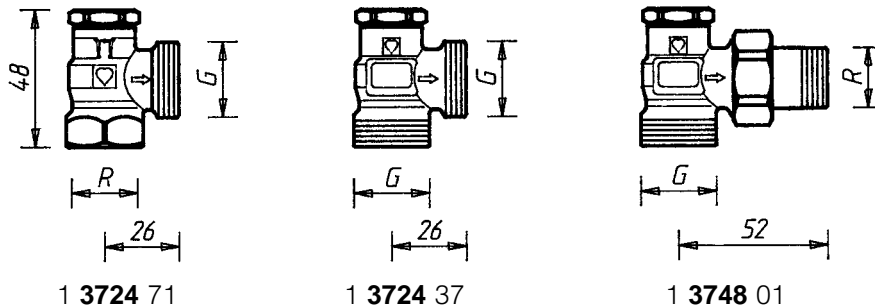
**3724**



1 **3723** 11

1 **3737** 01

1 **3733** 11



1 **3724** 71

1 **3724** 37

1 **3748** 01

**Special Models**

R = R 1/2"  
G = G 3/4

Article number	Model	R Connection	Ø Connection	L	H	h	Order number
<b>3723</b>	Straight model	3/8"	12	74	28	-	1 <b>3723</b> 40
		1/2"	15	82	28	-	1 <b>3723</b> 41
		3/4"	18	95	27	-	1 <b>3723</b> 42
<b>3724</b>	Angle model	3/8"	12	47	20	2	1 <b>3724</b> 40
		1/2"	15	52	20	25	1 <b>3724</b> 41
		3/4"	18	60	21	27	1 <b>3724</b> 42

**Dimensions in mm  
Order number**

All models are nickel-plated and are universal models with special socket for threaded pipe and compression union.

**Finish**

**HERZ-RL-1-Valves in Special Models, Dimension 1/2"**

- 1 **3723** 11 Straight model, universal socket x male thread G3/4, with cone seal
- 1 **3737** 01 Straight model, 2 x male thread G 3/4, with cone seal
- 1 **3733** 11 Straight model, radiator connection with cone seal, pipe connection male thread G 3/4
- 1 **3724** 71 Angle model, universal socket x male thread G 3/4, with cone seal
- 1 **3724** 37 Angle model, 2 x male thread G 3/4, with cone seal
- 1 **3748** 01 Angle model, radiator connection with cone seal, pipe connection male thread G 3/4

**HERZ-RL-1  
Special Models**

We reserve the right to make modifications necessitated by technological progress.

<p>Maximum operating temperature 110 °C  Maximum operating pressure 10 bar</p> <p>Hot water purity according to Austrian standard ÖNORM H 5195 and/or VDI specification 2035.</p> <p>When using HERZ compression unions for copper and steel pipes, observe the permissible temperatures and pressures as specified in EN 1254-2:1998 Table 5. A maximum operating temperature of 80 °C and maximum operating pressure of 4 bar applies for plastic pipe connections, if permitted by the pipe manufacturer.</p>	<p><b>Operating Data</b></p> <p><b>HERZ  Compression union</b></p>																																							
<p>Hot Water Heating Systems.</p> <p>After installation of the return valve it is possible to close the radiator return connection. When the intake valve is closed simultaneously (0-position for thermostatic valves) it is possible to remove the radiator while the heating system remains under pressure. Thus, it is possible to perform servicing operations and to work behind the radiator (wall-papering, laying tiles) without having to switch off the rest of the system.</p> <p>If presetting of the return valve or filling and draining of the radiators or of the entire system through the return valve is required, we recommend using the HERZ-RL-5 return valve.</p>	<p><b>Field of Application</b></p>																																							
<p>Iron pipe connection 6210, with cone seal, assembled.  It is recommended that the HERZ assembly key 6680 be used.</p>	<p><b>Radiator Connection</b></p>																																							
<p>To be used instead of radiator connection.</p> <table border="0"> <tr> <td><b>6210</b></td> <td>1/2"</td> <td>Iron pipe connection, lengths 26 or 35 mm</td> </tr> <tr> <td><b>6211</b></td> <td>1/2"</td> <td>Reducing connection, 1/2" x 3/8".</td> </tr> <tr> <td><b>6213</b></td> <td>3/8"</td> <td>Reducing connection, 3/8" x 1/2".</td> </tr> <tr> <td><b>6218</b></td> <td>3/8"-3/4"</td> <td>Long threaded bush, without nut, can be shortened to compensate for differences in structural dimensions, lengths 3/8" x 40; 1/2" x 39, 42 and 76 mm, 3/4" x 70 mm</td> </tr> <tr> <td><b>6218</b></td> <td>1/2"</td> <td>Threaded bush, without nut, lengths 36,48 and 76 mm</td> </tr> <tr> <td><b>6235</b></td> <td>3/8"-3/4"</td> <td>Soldering connection, 3/8" x 12; 1/2" x 12, 15 and 18; 3/4" x 18 mm.</td> </tr> <tr> <td><b>6249</b></td> <td>3/8"-3/4"</td> <td>Iron pipe connection elbow, without nut, with cone seal</td> </tr> <tr> <td><b>6274</b></td> <td>G 3/4</td> <td>Compression union for copper and thin-walled steel pipes, for external pipe diameters 8,10,12,14,15,16 and 18 mm</td> </tr> <tr> <td><b>6275</b></td> <td>G 3/4</td> <td>Compression union with soft seal for copper and thin-walled steel pipes, particularly suitable for hard special steel pipes and pipes with hard galvanised surfaces. For external pipe diameters 12,14 and 15 mm</td> </tr> <tr> <td><b>6098</b></td> <td>G 3/4</td> <td>Compression union for PE-X-, PB and plastic composite pipes.</td> </tr> </table> <p>To be used at the socket side of the valve:</p> <table border="0"> <tr> <td><b>6219</b></td> <td>1/2"-3/4"</td> <td>Reduction socket, brass version, for pipe-valve connection, female thread (pipe) x male thread (valve), 1 x 1/2", 1 1/4" x 1/2", 1" x 3/4", 1 1/4" x 3/4".</td> </tr> <tr> <td><b>6066</b></td> <td>M 22 x 1.5</td> <td>Plastic pipe connection for PE-X-, PB and plastic composite pipes, to be used with adapter 1 <b>6272</b> 01 (R 1/2 x M 22 x 1,5).</td> </tr> <tr> <td><b>6098</b></td> <td>G 3/4</td> <td>Plastic pipe connection for PE-X-, PB and plastic composite pipes, to be used with adapter 1 <b>6266</b> 01 (R 1/2 x G 3/4).</td> </tr> </table> <p>For pipe dimensions of plastic pipe connections please refer to HERZ catalogue.</p>	<b>6210</b>	1/2"	Iron pipe connection, lengths 26 or 35 mm	<b>6211</b>	1/2"	Reducing connection, 1/2" x 3/8".	<b>6213</b>	3/8"	Reducing connection, 3/8" x 1/2".	<b>6218</b>	3/8"-3/4"	Long threaded bush, without nut, can be shortened to compensate for differences in structural dimensions, lengths 3/8" x 40; 1/2" x 39, 42 and 76 mm, 3/4" x 70 mm	<b>6218</b>	1/2"	Threaded bush, without nut, lengths 36,48 and 76 mm	<b>6235</b>	3/8"-3/4"	Soldering connection, 3/8" x 12; 1/2" x 12, 15 and 18; 3/4" x 18 mm.	<b>6249</b>	3/8"-3/4"	Iron pipe connection elbow, without nut, with cone seal	<b>6274</b>	G 3/4	Compression union for copper and thin-walled steel pipes, for external pipe diameters 8,10,12,14,15,16 and 18 mm	<b>6275</b>	G 3/4	Compression union with soft seal for copper and thin-walled steel pipes, particularly suitable for hard special steel pipes and pipes with hard galvanised surfaces. For external pipe diameters 12,14 and 15 mm	<b>6098</b>	G 3/4	Compression union for PE-X-, PB and plastic composite pipes.	<b>6219</b>	1/2"-3/4"	Reduction socket, brass version, for pipe-valve connection, female thread (pipe) x male thread (valve), 1 x 1/2", 1 1/4" x 1/2", 1" x 3/4", 1 1/4" x 3/4".	<b>6066</b>	M 22 x 1.5	Plastic pipe connection for PE-X-, PB and plastic composite pipes, to be used with adapter 1 <b>6272</b> 01 (R 1/2 x M 22 x 1,5).	<b>6098</b>	G 3/4	Plastic pipe connection for PE-X-, PB and plastic composite pipes, to be used with adapter 1 <b>6266</b> 01 (R 1/2 x G 3/4).	<p><b>Further  Connecting Options</b></p> <p>Please refer to the HERZ Catalogue for order numbers.</p>
<b>6210</b>	1/2"	Iron pipe connection, lengths 26 or 35 mm																																						
<b>6211</b>	1/2"	Reducing connection, 1/2" x 3/8".																																						
<b>6213</b>	3/8"	Reducing connection, 3/8" x 1/2".																																						
<b>6218</b>	3/8"-3/4"	Long threaded bush, without nut, can be shortened to compensate for differences in structural dimensions, lengths 3/8" x 40; 1/2" x 39, 42 and 76 mm, 3/4" x 70 mm																																						
<b>6218</b>	1/2"	Threaded bush, without nut, lengths 36,48 and 76 mm																																						
<b>6235</b>	3/8"-3/4"	Soldering connection, 3/8" x 12; 1/2" x 12, 15 and 18; 3/4" x 18 mm.																																						
<b>6249</b>	3/8"-3/4"	Iron pipe connection elbow, without nut, with cone seal																																						
<b>6274</b>	G 3/4	Compression union for copper and thin-walled steel pipes, for external pipe diameters 8,10,12,14,15,16 and 18 mm																																						
<b>6275</b>	G 3/4	Compression union with soft seal for copper and thin-walled steel pipes, particularly suitable for hard special steel pipes and pipes with hard galvanised surfaces. For external pipe diameters 12,14 and 15 mm																																						
<b>6098</b>	G 3/4	Compression union for PE-X-, PB and plastic composite pipes.																																						
<b>6219</b>	1/2"-3/4"	Reduction socket, brass version, for pipe-valve connection, female thread (pipe) x male thread (valve), 1 x 1/2", 1 1/4" x 1/2", 1" x 3/4", 1 1/4" x 3/4".																																						
<b>6066</b>	M 22 x 1.5	Plastic pipe connection for PE-X-, PB and plastic composite pipes, to be used with adapter 1 <b>6272</b> 01 (R 1/2 x M 22 x 1,5).																																						
<b>6098</b>	G 3/4	Plastic pipe connection for PE-X-, PB and plastic composite pipes, to be used with adapter 1 <b>6266</b> 01 (R 1/2 x G 3/4).																																						

The return valves are equipped with special sockets offering the option of connection either a threaded pipe or calibrated soft-steel or copper pipe, the latter two by means of a compression union. Compression union must be ordered separately.

When using R=1/2" valves for external pipe diameter 10, 12, 14, 16 and 18 mm use adapter Art. No. 6272 between valve and compression union.

Valve ø D mm	12	10	12	14	15	16	18	18
Valve R=	3/8"	1/2"						3/4"
Adapter Art. No.		1 6272 01	1 6272 01	1 6272 01		1 6272 01	1 6272 11	
Compr. Union Art. No.	1 6292 00	1 6284 00	1 6284 01	1 6284 03	1 6292 01	1 6284 05	1 6289 01	1 6292 02

We suggest using support sleeves for the installation of soft-steel or copper pipes with screw joint. For perfect installation, it is imperative to lubricate the thread of the locking nut (male thread and female thread) as well as the olive itself with silicon oil. We refer to our instructions for installation.

### Universal Model Pipe Connection

Closing is performed by means of the valve spindle which can be turned to open or close by means of the HERZ Multi-purpose key 1 6625 00 or an 8 mm Allen key. The valve is completely open after 3 to 3 1/2 turns.

The seat seal is metallic and therefore non-wearing. The valve spindle is sealed towards outside by means of an O-Ring. This keeps maintenance requirements at a minimum and ensures ease of valve operation over a long period of time up to the specified operating temperature.

The spindle is protected against unintentional unscrewing. In addition, it is covered by a metallic screw cap.

### Special Design Features

Characteristic	HERZ-RL-1	kvs	Zeta value for pipe according to DIN 2440
1	3723 - 3/8"	1.5	17
2	3723 - 1/2"	1.9	29
3	3723 - 3/4"	2.0	86
4	3724 - 3/8"	2.15	8
5	3724 - 1/2"	2.6	15
	3724 - 3/4"	2.6	51

### kvs and Zeta value

- 1 6625 00 Multi purpose key for pre-setting
- 1 6680 00 Assembly key for radiator connections

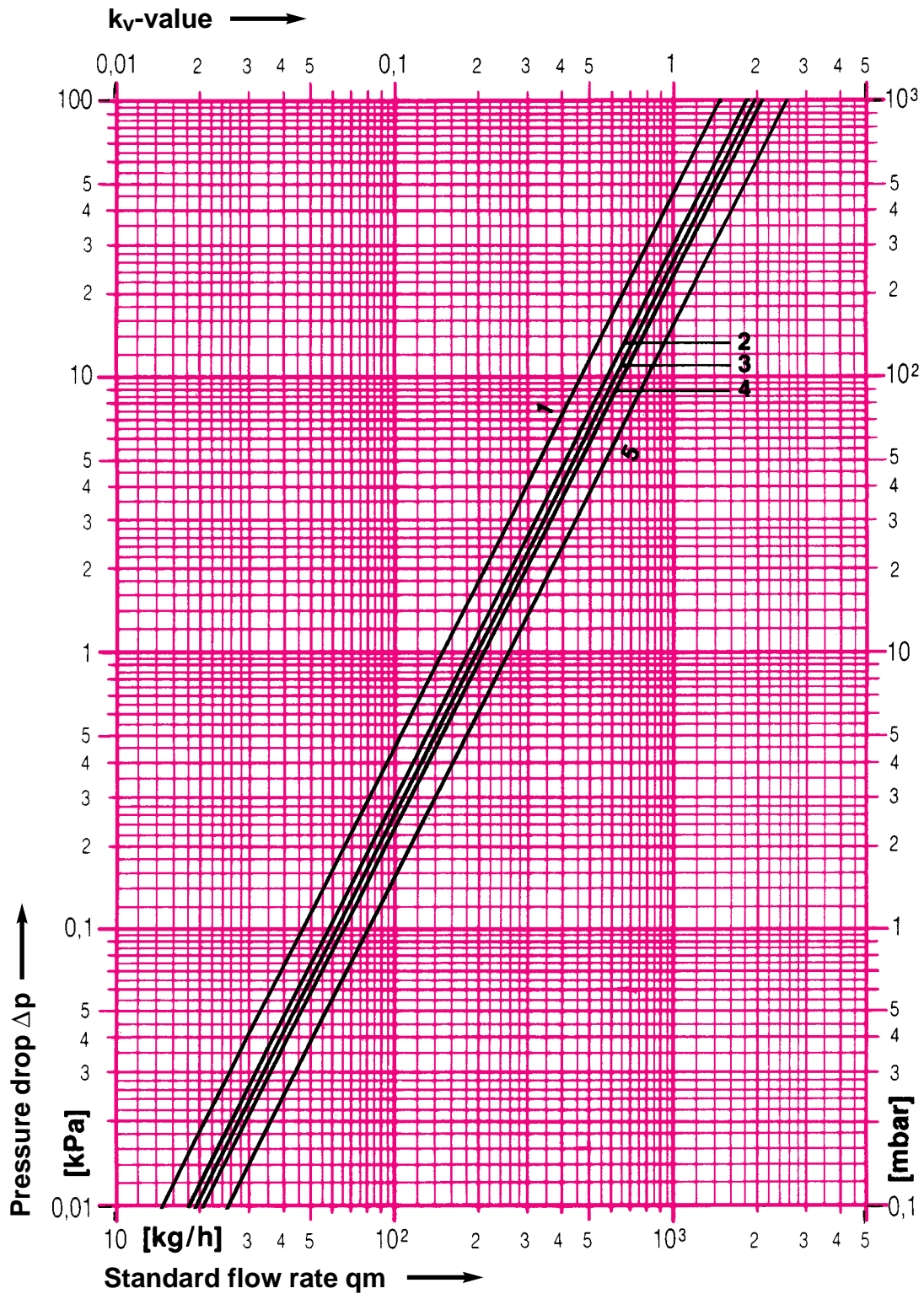
### Accessories

# HERZ Standard Diagram

HERZ-RL-1

Art. No. 3723 • 3724

Dim. DN 10, R=3/8" • DN 15, R=1/2" • DN 20, R=3/4"



We reserve the right to make modifications.

HERZ Armaturen

Richard-Strauss-Straße 22 • A-1230 Wien

